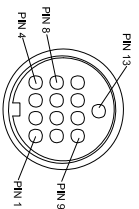
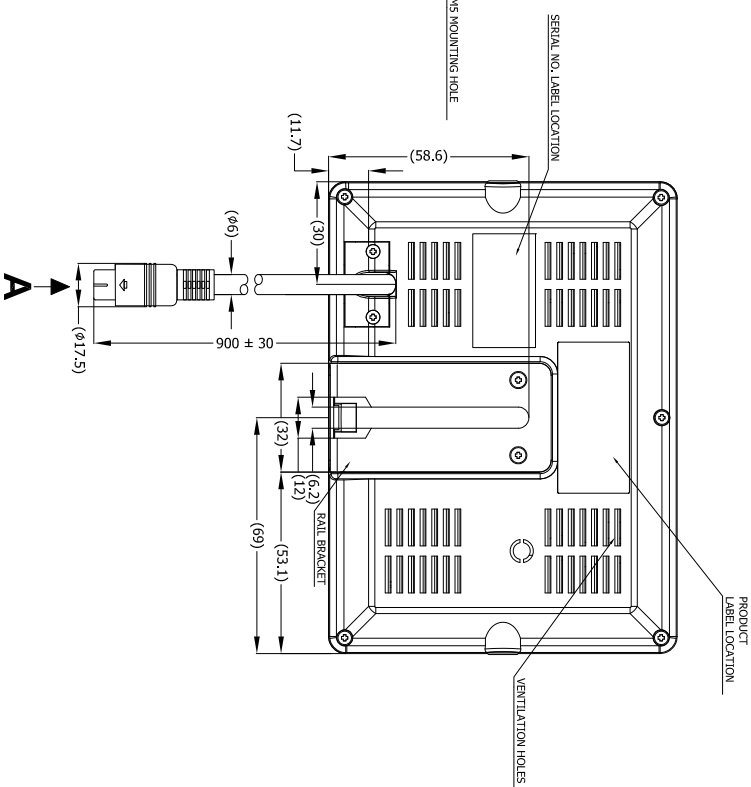
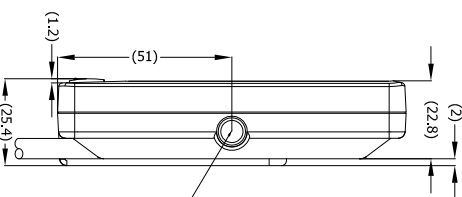
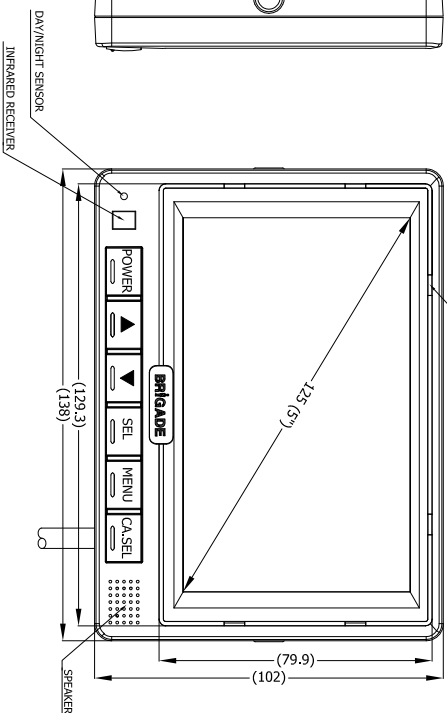
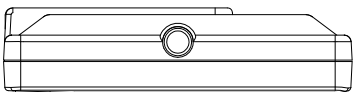
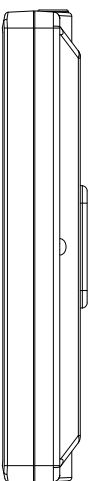


**VIEW A**



**13 PIN MALE MATING FACE**

PIN#	WIRE COLOUR	ASSIGNMENT
1	BROWN	VCC5V
2	BROWN	TRIGGER 2
3	BLUE	TRIGGER 2
4	PURPLE	TRIGGER 1
5	PALE RED	GN +12V OUT
6	GREEN	GN +12V OUT
7	PALE RED	GN +12V OUT
8	GREEN	GN +12V OUT
9	PALE GREEN	GN +12V OUT
10	WHITE	GN +12V OUT
11	BLACK	GN +12V OUT
12	PALE BLUE	GN +12V OUT
13	ORANGE	GN +12V OUT
	CASE	BLACK GROUND



**NOTES:**

1. REFER TO "PRODUCT SPECIFICATION" FOR MORE DETAILS.
2. FOR PRODUCT LABEL REFER TO LATEST REVISION OF DRAWING BE-003235-XX-15.
3. FOR PRODUCT SERIAL NUMBER LABEL REFER TO LATEST REVISION OF DRAWING BE-001324-XX-10.
4. FIRMWARE VERSION SV-00714-703-02-V1.1 TO BE PRELOADED TO THE MAIN BOARD DURING MANUFACTURE.
5. HOUSING MATERIAL: ABS PLASTIC, RAIL BRACKET MATERIAL: STEEL.
6. KEYPAD BUTTON ARTWORK IS UNCONFIRMED.
7. KEYPAD BUTTONS / SYMBOLS TO BE WHITE. INFRARED RECEIVER WINDOW TO BE BROWN TRANSLUCENT.
8. FINISH: BLACK COLOUR WITH SOFT TOUCH PAINT.

**PROPRIETARY NOTICE**

THIS DESIGN AND TECHNICAL INFORMATION APPEARING ON THIS DRAWING IS THE PROPERTY OF BRIGADE ELECTRONICS, AND IS DISCLOSED IN CONFIDENCE. IT IS NOT TO BE COPIED, REPRODUCED, REVEALED TO OR EXPLOITED BY OTHERS, EITHER IN WHOLE OR IN PART WITHOUT THE EXPRESS WRITTEN CONSENT OF BRIGADE ELECTRONICS.

Revision Notes			
R1 -	Drawn:-	Checked:-	Approved:-
APPA:-			Date: 00/00/00

**BRIGADE**  
www.brigade-electronics.com

Assembly PI Approval		Approved by		Checked by		Drawn by	
YILING ZHANG (19/11/15)		B. JOHNS		RBATES		M BUTLER	
Angle of Projection		Units	Scale	Released	Assembly Ref	Status	Part No
Third Angle		mm	N/A	19/11/15	TBC	RELEASED	VBV-750EM-M
							BE-003210-00-15